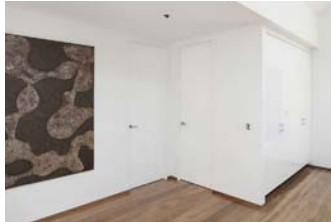
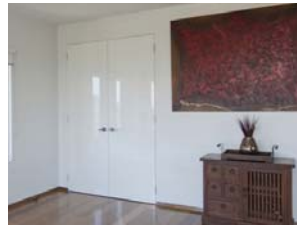


# EZYJamb®

EZYJamb Single Rabbet - SRC  
PATENT PENDING

## TRIMLESS DOOR FRAME



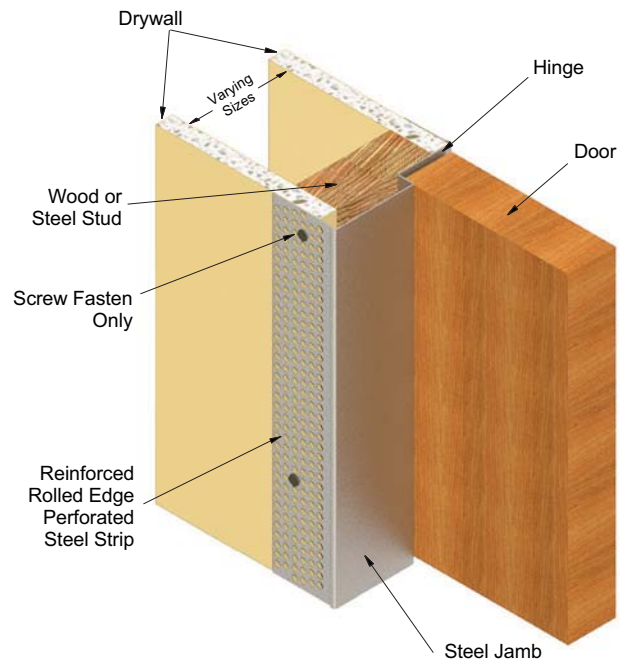
# TRIMLESS DOOR FRAME

**EZYJamb**<sup>®</sup>

EZYJamb Single Rabbet - SRC

Trimless doors... Make a statement,  
clean lines, flush finish...  
Give your project a clean cut edge!

EZYJamb is a unique frameless jamb system that wraps the drywall during framing and when mudded and painted, blends seamlessly with the wall.



## 18 GAUGE SINGLE RABBET SRC TRIMLESS DOOR FRAME (FOR 1-3/4" DOORS) (PATENT PENDING)

Finished Wall Thicknesses: 3-3/4", 4-1/2", 4-5/8", 4-3/4", 4-7/8"  
5-1/4", 6-1/8", 6-3/4", 7-1/4", 7-3/4"  
Custom sizes available upon request

Hinges Available

### Invisible Type

ROCyork RY-80

ROCyork RY-45

Tectus 340

### EZYJamb Standard Hinges\*

4" Stainless Steel (SS)

4" Satin Chrome (SC)

4" Polished Chrome (PC)

4" Oil Rubbed Bronze (OB)

### Mortise Hinges

ROCyork 4-1/2" x 4-1/2"

Ball Bearing and Spring Hinges

4-1/2" x 4-1/2" Stainless Steel

4-1/2" x 4-1/2" Satin Chrome

4-1/2" x 4-1/2" Oil Rubbed Bronze

Strike Options

T Strike 2-3/4"

ASA Strike 4-7/8"

Deadbolt 2-3/4"

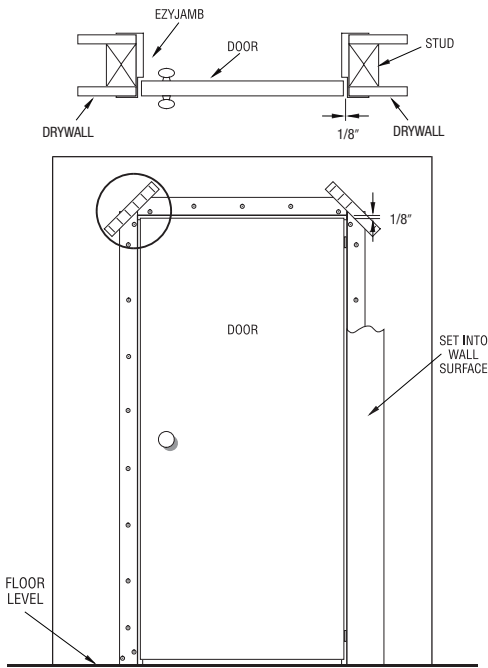
Fire Rating

Up to 90 minutes

\* All standard hinges are surface applied.



**CLEAN LINES!** ... The Flush Finish Door Jamb System



## INSTALLATION

The EZYJamb 18 Gauge Single Rabbet SRC Trimless (PATENT PENDING) door frame is simple to install, and it requires no special maintenance.

The system is complemented by a range of hardware to suit different applications.

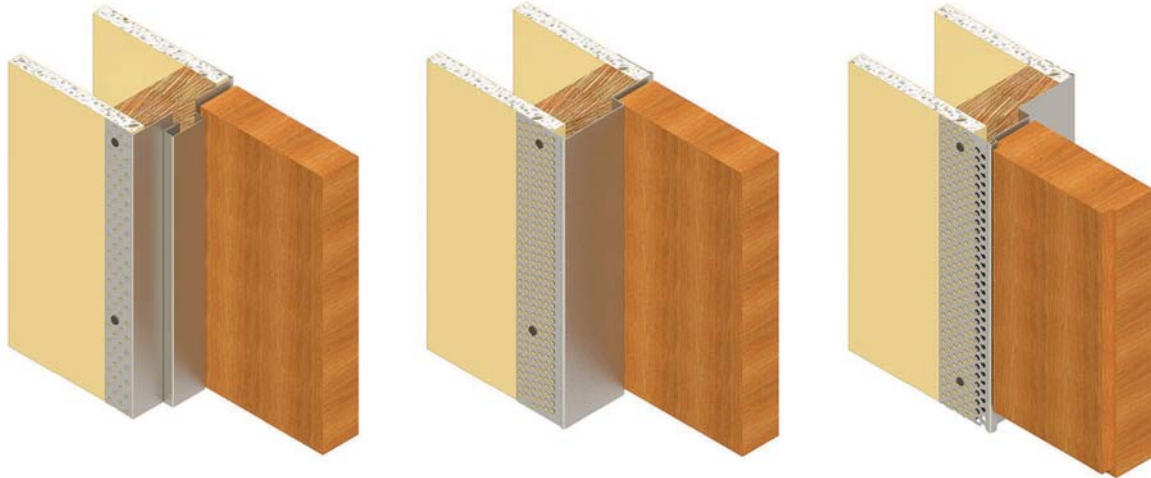
The completed jamb is flush finished and can be painted in with the whole wall area to fully conceal any fixing, achieving simple clean lines around the door face. The incorporation of reinforced edges overcomes the continual damage door jambs are subjected to by normal everyday use.



**A range of Invisible (Concealed), Standard and Mortised hinges available**

# EZYJamb®

EZYJamb Single Rabbet - SRC



EZYJamb Classic Adjust – EZC

EZYJamb Single Rabbet – SRC  
(PATENT PENDING)

EZYJamb Inswing – ISD  
(PATENT PENDING)

**Available in North America, Australia, New Zealand, UK and Europe.**

Email: [sales@ezyjamb.com](mailto:sales@ezyjamb.com)

Web: [www.ezyjamb.com](http://www.ezyjamb.com)

*Call for nearest Distributor*

**Customer Service Hotline**

**1.888.EZY.JAMB (399-5262)**

**ANOTHER PRODUCT FROM:**

**EZCONCEPT**   
Global Architectural Solutions

**MANUFACTURED BY:**

**STUDCO**  
**BUILDING SYSTEMS**

ST\_18GSRFC\_04122015

**CLEAN LINES! ...** The Flush Finish Door Jamb System