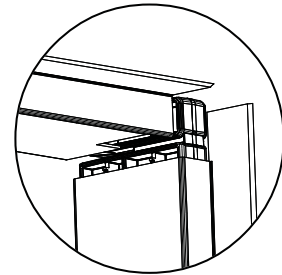


TYPICAL CORNER ASSEMBLY



Version

20 GAUGE EZYJAMB TRIMLESS DOOR FRAME (FOR 1-3/8" DOORS)

Dimension A

STANDARD STRIKE PLATE HEIGHT FROM FINISHED FLOOR TO CENTERLINE:
for 6'8" frame 36"
for 7'0" and 8'0" frames - 38"

Hinges Available from Manufacturer

1. INVISIBLE TYPE:

ROCYork RY-30

2. EZY-JAMB STANDARD HINGES -

All standard hinges are surface applied

4" Stainless Steel (SS)

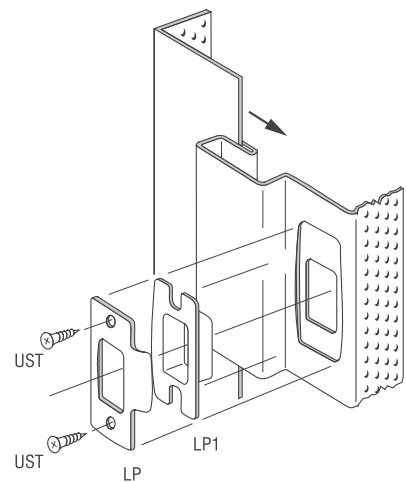
4" Satin Chrome (SC)

4" Oil Rubbed Bronze (OB)

* Hinge locations vary with door size - See hinge location chart.

Specifications

20 Gauge galvalneal steel door frame adjustable for wall thicknesses up 8' 7/8"



TYPICAL T-STRIKE ASSEMBLY

Deadbolt 1" x 2 1/4"