

TYPICAL T-STRIKE ASSEMBLY

STRIKE OPTIONS:

- T Strike 2- 3/4"
- ASA Strike 4- 7/8"
- Deadbolt 2- 3/4"

Version

18 GAUGE EZYJAMB TRIMLESS DOOR FRAME (FOR 1-3/4" DOORS)

Strike Locations

STANDARD STRIKE PLATE HEIGHT FROM BOTTOM OF FRAME TO CENTERLINE:
 for 6'8" frame: 36"
 for 7'0" and 8'0" frames: 38"

Hinges Available from Manufacturer

1. INVISIBLE TYPE: (Hinges)

- ROCyork RY-80 ROCyork RY-50
- ROCyork RY-45 ROCyork RY-120

2. EZY-JAMB STANDARD - (Non-mortised hinges)

All standard hinges are surface applied
 4" Stainless Steel (SS)
 4" Satin Chrome (SC)
 4" Polished Chrome (PC)
 4" Oil Rubbed Bronze (OB)

3. MORTISE HINGES -

ROCyork 4-1/2" x 4-1/2"

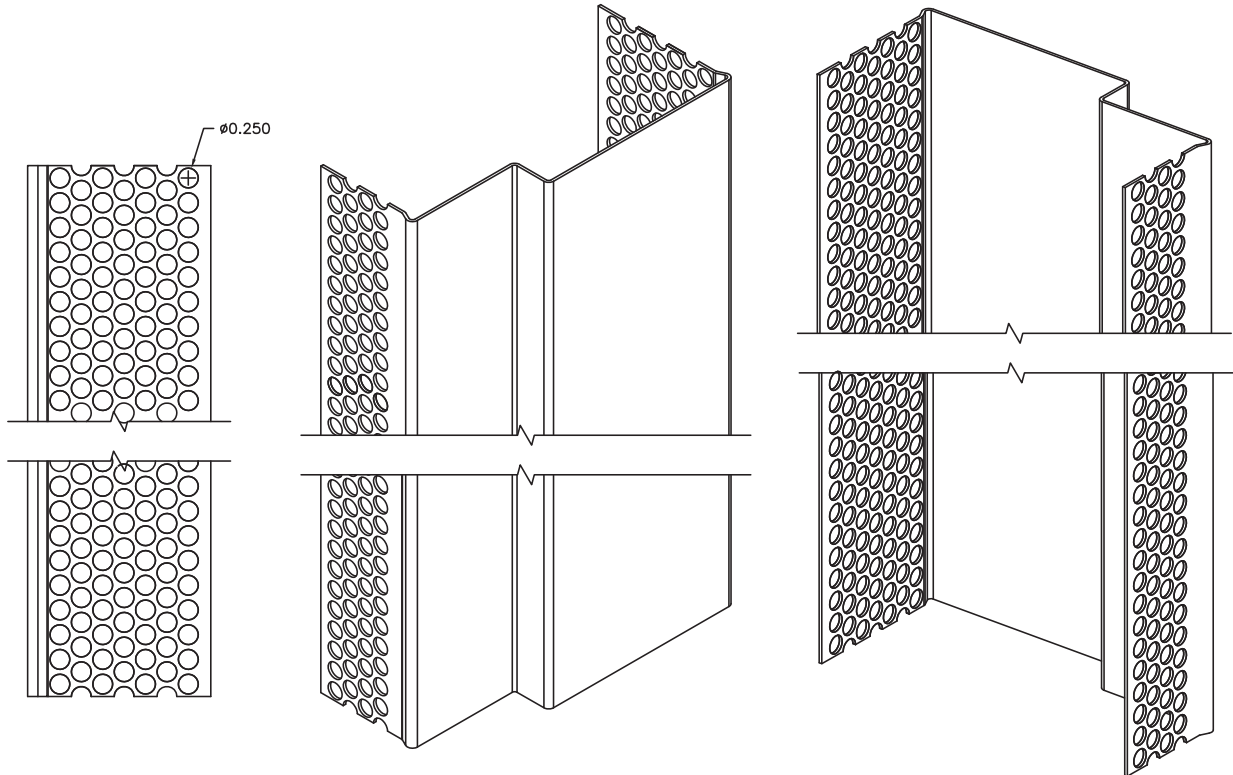
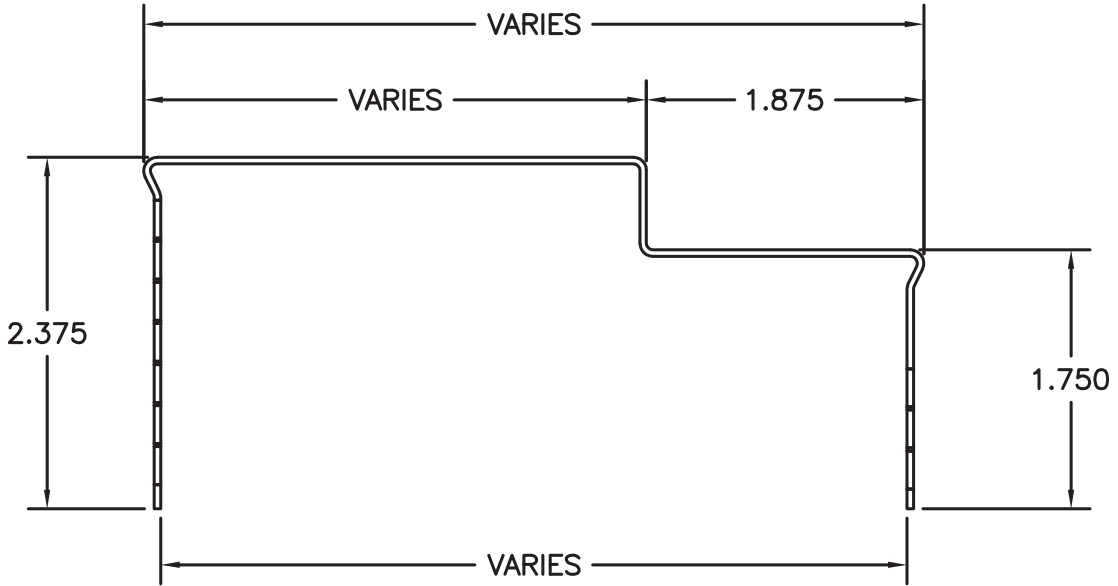
Specifications

18 Gauge galvalneal steel door frame for the finished wall thickness listed below:

- 3-3/4"
- 4-1/2"
- 4-5/8"
- 4-3/4"
- 4-7/8"
- 5-1/4"
- 6-1/8"
- 6-3/4"
- 7-1/4"
- 7-3/4"

Fire Rated for up to 90 minutes





Information contained within this document supersedes all previous versions and is subject to change without notice.